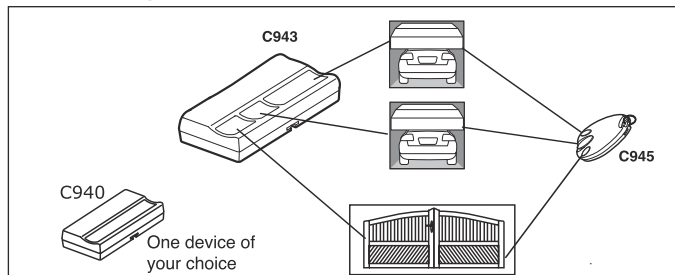


CHAMBERLAIN™
merlin
 professional



! DO NOT operate your garage door unless it is in full view and clear of obstruction and is properly adjusted. No one should enter or leave the garage whilst the door is in motion.
! Do not allow children to operate push button(s) or remote. Do not allow children to play near the door.

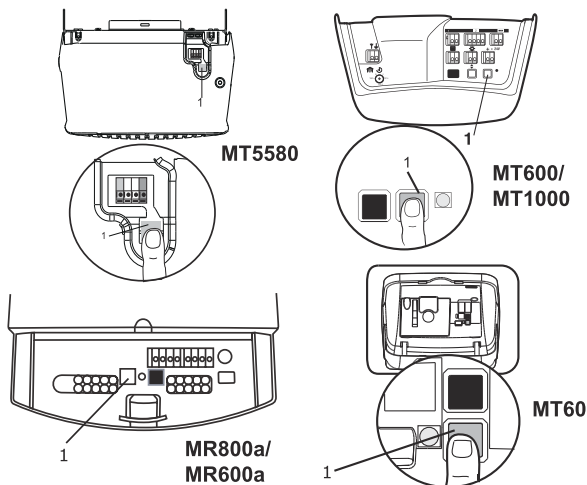


CHOOSING A BUTTON

You can use any of the three buttons to activate your door. If you have multiple doors or an automated gate you may use one of the other two buttons to activate it, provided you have a compatible receiver. For further details please refer to our web page.

ADDING REMOTES MT SERIES

1. Press and hold the selected remote push button you wish to open the door.
2. Press and release the orange "Learn" button (1) on the opener panel. The opener light will flash once. Release the remote push button. If no light bulb is installed, two clicks will be heard.



ADDING REMOTES MR SERIES

1. Press and hold the selected remote push button you wish to open the door, the orange LED will flash.
2. Press and release the purple "Learn" button (1) on the opener panel. The opener's courtesy LEDs will flash once. Release the remote push button.

If you release the remote control push button before the opener light or LEDs flash, the opener has not accepted the code.

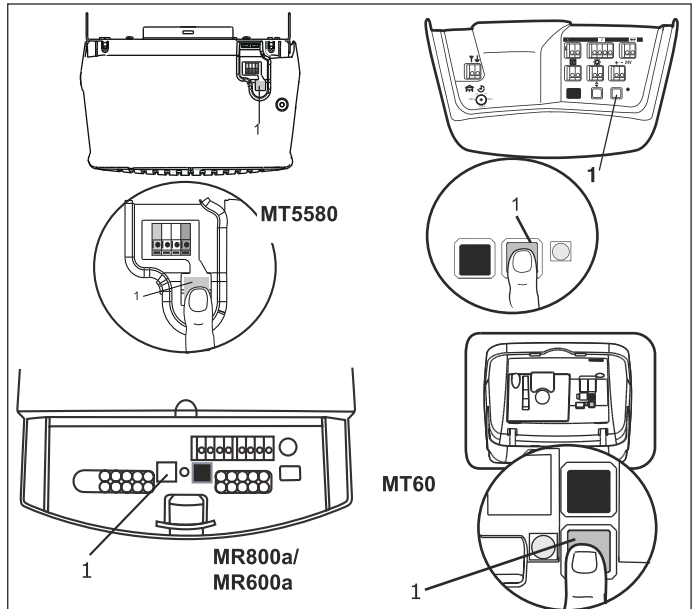
FOR GATES SEE GATE USER MANUAL

433MHz Rolling Code Remote Controls

- C943 – Three-channel rolling code remote control
- C945 – Three-channel rolling code mini remote control
- C940- Single channel rolling code remote control

Suits: Merlin Professional products garage door openers. MT60, MT600/MT1000, MT5580, MR600a/800a and Merlin Gate Motors MGS300/400, MGA300 and MGS300/500/1000

Chamberlain does not recommend or endorse this accessory's use with products other than garage door or gate motors.



To Erase All Programmed Remotes/Codes

Press and hold the "Learn" button (1) on the opener panel until the indicator light turns off (about 6-10 seconds).

Note: This procedure erases all codes from the operators memory.

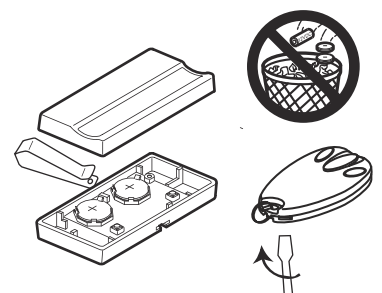
To add or re-program valid remotes into your opener, follow the procedure laid out in "ADDING REMOTES".

NOTE: FOR GATE MOTORS CONSULT OWNER'S MANUAL.

Replacing Batteries

Model C943/C940: Insert batteries 10A20 (CR2032) x2 positive side **up**.

Model C945: Insert 1x battery 10A20 (CR2032) positive side **up**.



To replace cover, snap shut along both sides. The lithium batteries should produce power for up to 5 years. To replace batteries, use a coin, the visor clip or screwdriver blade to pry open the case, as shown ("Open" location is stamped on back.)

Chamberlain Australia Pty Ltd
 PO Box 1446
 Lane Cove NSW 1595

Chamberlain New Zealand Ltd
 P.O. Box 100-221
 North Shore 0745
 www.chamberlainanz.com

