

Wireless Keyless Entry with rolling code Model C840

FEATURES

For use with any Chamberlain 433MHz garage door and gate openers.

Personalized Password:

Up to 10,000 possible combinations.
Password can be easily changed if desired.

Temporary Password:

Can be added for visitors or service persons. This temporary password can be limited to a programmable number of hours or a programmable number of entries.

Rolling Code: While your password remains constant until you change it, the code between the Keyless Entry and the receiver changes with each use, randomly accessing over 100 billion new codes.

Operation: Opener activates when 4-digit password and ENTER button is pressed. If wrong numbers are accidentally pressed, correction can be made immediately. The ENTER button will transmit only the last four digits.

The keypad will blink for 15 seconds after the password is transmitted. During that time the ENTER button can be used to stop or reverse the door travel.

SETTING THE PERSONAL ENTRY PASSWORD

We recommend that you program your password now, before you install the Keyless Entry. Then you can test the reception at the mounting location before you proceed further.

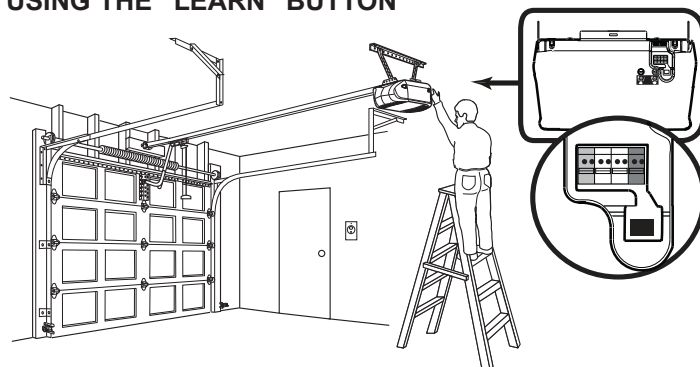
USING THE MULTI-FUNCTION DOOR CONTROL



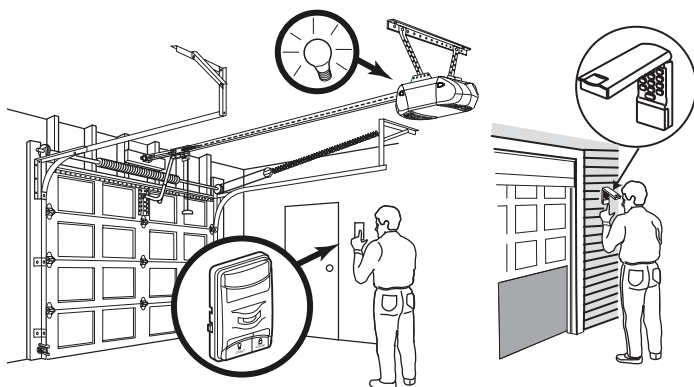
To prevent possible **SERIOUS INJURY** or **DEATH** from a moving gate or garage door:

- Install Keyless Entry Control within sight of the garage door, out of reach of children at a minimum height of 1.5m, and away from all moving parts of door.
- **ALWAYS** keep remote controls out of reach of children. **NEVER** permit children to operate, or play with remote control transmitters.
- Activate gate or door **ONLY** when it can be seen clearly, is properly adjusted, and there are no obstructions to door travel.
- **ALWAYS** keep gate or garage door in sight until completely closed. **NEVER** permit anyone to cross path of moving gate or door.

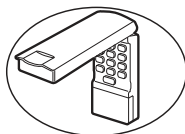
USING THE "LEARN" BUTTON



1. Press and release the learn button on the opener. The learn indicator light will glow steadily for 30 seconds.
2. Within 30 seconds, enter a four digit personal identification number (PIN) of your choice on the keypad. Then press and hold the ENTER button.
3. Release the button when the opener lights blink. It has learned the code. If light bulbs are not installed, two clicks will be heard.



1. Enter a four digit personal identification number (PIN) of your choice on the keypad. Then press and hold ENTER.



2. While holding the ENTER button, press and hold the LIGHT button on the Multi-Function Door Control.



3. Continue holding the ENTER and LIGHT buttons while you press the push bar on the Multi-Function Door Control (all three buttons are held).



4. Release buttons when the motor unit lights blink. It has learned the code. If light bulbs are not installed, two clicks will be heard.



Side two contains instructions for installing the Keyless Entry, changing the personal entry password and setting a temporary password.

INSTALLATION

Choose a convenient location for installation. Install out of the reach of children at a minimum height of 1.5 m, away from all moving parts of door.

For a one-piece door, choose the optional location shown in the illustration to avoid injury as the door swings up and out.

Test the reception of the Keyless Entry by operating your opener from the selected location. Change the location if necessary.

Remove the battery cover to access the bottom mounting hole.

- Insert a small phillips screw driver into the small hole at the bottom of the cover and gently pull outward to loosen.
- Slide the cover down to remove. Remove battery.

Center the keypad at eye level against the selected location. Mark 4-1/4" (10.8 cm) up the centerline from the bottom and drill a 1/8" (3.2 mm) pilot hole. Install top mounting screw, allowing 1/8" (3.2 mm) to protrude above surface. Position keypad on screw head and adjust for snug fit.

With cover open so bottom mounting hole is visible, use a punch to mark hole. Remove keypad and drill 1/8" (3.2 mm) pilot hole. Replace keypad and complete installation with bottom screw, using care to avoid cracking plastic housing. **Do not over tighten.**

To replace battery cover slide up and snap it into place.

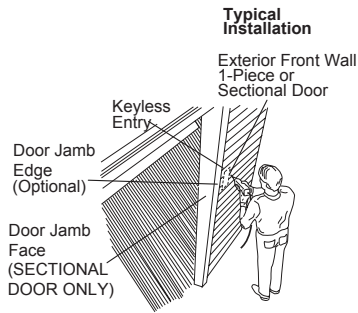
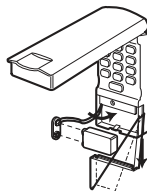
The Keyless Entry Battery



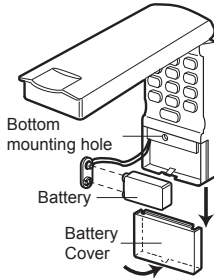
To prevent possible **SERIOUS INJURY** or **DEATH**:

- NEVER allow small children near batteries.
- If battery is swallowed, immediately notify doctor.

The battery should produce power for at least one year. Replace when the Keyless Entry illumination becomes dim or it doesn't stay on after a keystroke. Dispose of old battery properly.



KEYLESS ENTRY MUST BE INSTALLED WITHIN SIGHT OF THE DOOR



TO CHANGE AN EXISTING, KNOWN PIN

If the existing PIN is known, it may be changed by one person without using a ladder.

1. Press the four buttons for the present PIN, then press and hold the # button.
The opener light will blink twice. Release the # button.
2. Press the new 4-digit PIN you have chosen, then press ENTER.

The motor unit lights will blink once when the PIN has been learned.

Test by pressing the new PIN, then press ENTER. The door should move.

TO SET A TEMPORARY PIN

You may authorize access by visitors or service people with a temporary 4-digit PIN. After a programmed number of hours or number of accesses, this temporary PIN expires and will no longer open the door. It can be used to close the door even after it has expired. To set a temporary PIN:

1. Press the four buttons for your personal entry PIN (not the last temporary PIN), then press and hold the * button.
The opener light will blink three times. Release the button.
 2. Press the temporary 4-digit PIN you have chosen, then press ENTER.
The opener light will blink four times.
 3. To set the number of hours this temporary PIN will work, press the number of hours (up to 255), then press *.
- OR
3. To set the number of times this temporary PIN will work, press the number of times (up to 255), then press #.

The opener light will blink once when the temporary PIN has been learned.

Test by pressing the four buttons for the temporary PIN, then press Enter. The door should move. If the temporary PIN was set to a certain number of openings, remember that the test has used up one opening. To clear the temporary password, repeat steps 1-3, setting the number of hours or times to 0 in step 3.

SPECIAL NOTE: The temporary password can **ONLY** be programmed to keypads working on a Chamberlain Garage Door Opener. It **WILL NOT** work on keypads programmed to an external receiver. The temporary password will continue to **CLOSE** the door even after the time has expired. To eliminate this, program a new temporary password into the keypad.

Chamberlain Australia Pty Ltd
PO Box 1446
Lane Cove NSW 1595
1800 638 234

Chamberlain New Zealand Ltd
PO Box 100221
North Shore 0745
0800 653 667